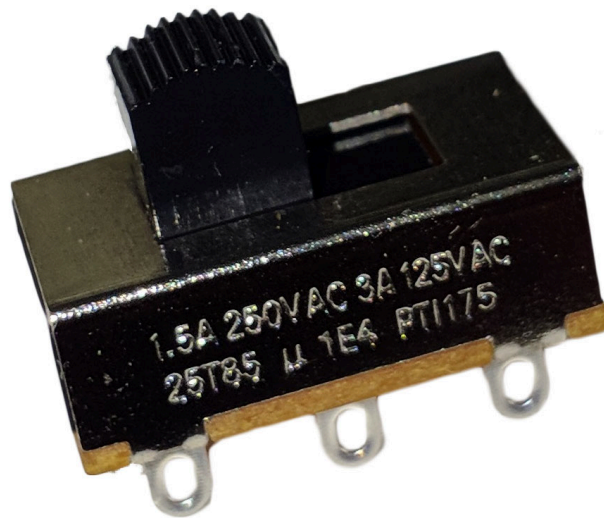




ProTechTrader LTD.

www.ProTechTrader.com

Single-Pole Double-Throw (SPDT/1P2T) Large Slide Switch



Model: PTT-LRG-Slider-Switch-7.4lugs

Product Page: <https://www.protechtrader.com/PTT-LRG-Slider-Switch-7.4lugs>

Features:

Large format slide switch for electronics

Extra-wide lug spacing - Solderable

10,000 use life cycle with 7mm knob

ProTechTrader LTD.

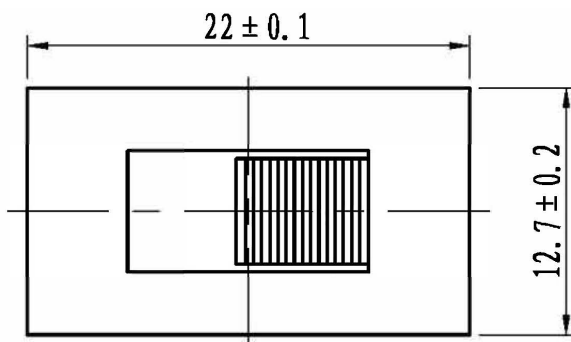
Specifications:

Electrical Rating:	1.5A 250VAC
Contact Resistance:	< 50mΩ
Insulation Resistance:	> 100m OHM (at 500VDC)
Terminal-Terminal Max:	1500V AC/10mA/5s
Terminal-Knob Max:	3000V AC/10mA/5s
Operating Life:	10000 Cycles
Operating Force:	3N- 4.5N

Dimensions (LxWxH):

Body:	22mm x 12.7mm x 7.6mm
Knob:	6.5mm x 5.4mm x 7mm (5.5mm Travel)
Lugs:	2.6mm x 0.5mm x 5mm

Diagram:



CIRCUIT:

