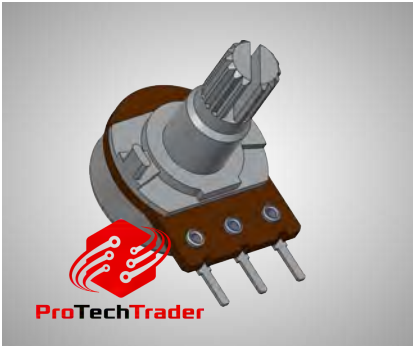


PTT-B1K - 16 mm Rotary Potentiometer



Features:

- Economical Low Cost
- Knurled Metal Shaft
- Panel Mount Pot
- 3 Terminal PC Pins
- Single Turn Linear Taper

Usage:

- Electronic Circuit Prototyping
- Breadboard Friendly
- Audio Volume Control / Balance Adjustment Knob
- PCB Circuit Board Solderable

Standard Potentiometer with many applications. 0-1000 ohm variable resistor commonly used as a volume control, tuner, or rotary encoder in Arduino experiments and audio devices

Electrical Characteristics

Taper.....Linear
 Standard Resistance.....0 to 1K ohms
 Standard Resistance Tolerance.....±20 %
 Terminal Resistance.....10 ohms max.

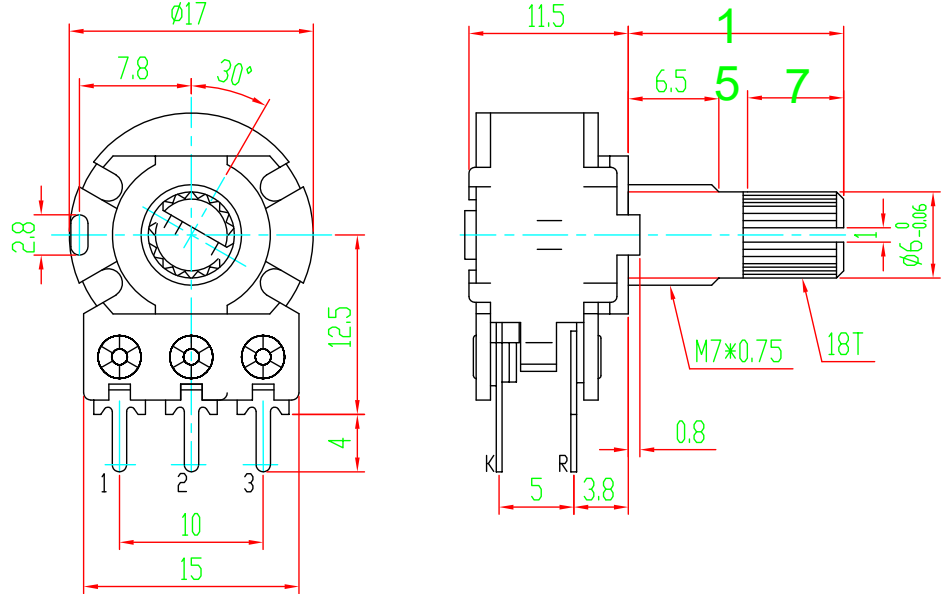
Environmental Characteristics

Operating Temperature.....-10 °C to +75 °C
 Power Rating0.125 watt
 Maximum Operating Voltage200 V
 Rotational Noise68 mV max.

Mechanical Characteristics

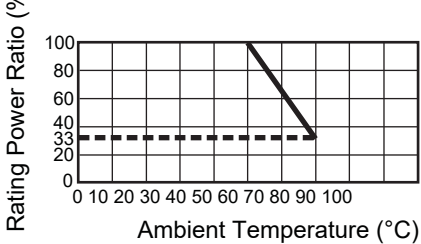
Mechanical Angle300 ° ±5°
 Rotational Torque10 to 150 g-cm
 Stop Strength..... 4 kg-cm min.
 Rotational Life..... 10,000 cycles min.
 Electrical Termination.....PCB Mount
 HardwareWashers and Nuts

Product Dimensions

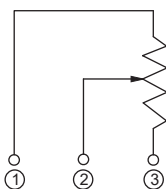


All Dimensions in millimeter unless specified otherwise

Derating Curve



Circuit



How To Order

Model.....PTT-B1K

Electronic specifications are subject to change. The characteristics and parameters in this specification sheet will vary in every application and actual performance may change over time. Specifications should be checked in your specific application.